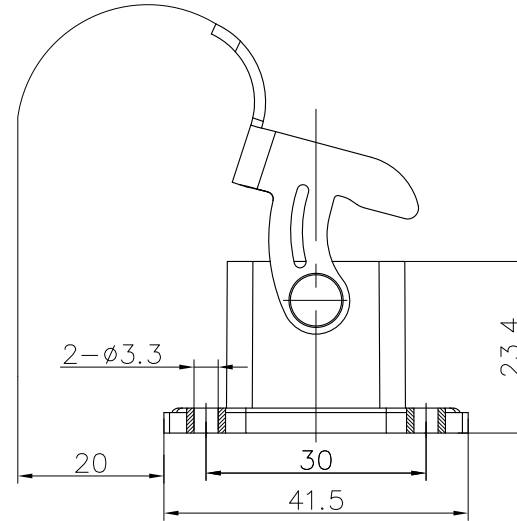
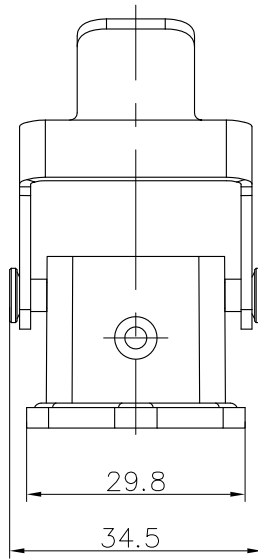
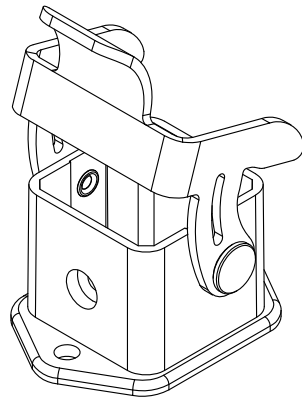
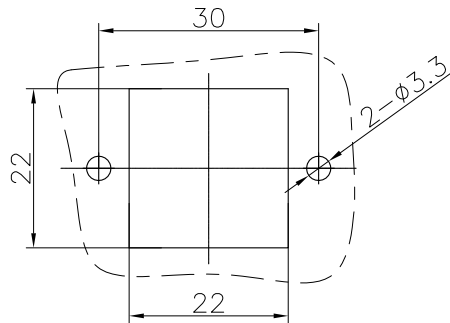


REVISION RECORD				
REV	ECN	DESCRIPTION	DRFT	DATE



Panel cut out



Housings Feature:

1. Material: Zinc die-cast (Housings)
2. Colour: Grey (RAL7037)
3. Locking element, Lever type: Lever
4. Material: Metal zinc-plated (Lever)
5. Housings Seal: NBR
6. Limiting temperatures: -40°C ~ +125°C
7. Flammability acc. to UL94: V0
8. Degree of protection acc. to DIN EN 60529 for coupled connector: IP65
9. Rohs Compliance

DETACHED LISTS	PART NO.: D3ABK1L	宁波高松电子有限公司 NINGBO DEGSON ELECTRICAL CO., LTD		
	APPD:	NAME: D3A-BK-1L		
	CHKD:	TITLE: CUSTOMER DRAWING		
	DRFT: Mr. Yang 2016.08.08	REV	DO	
	THIRD ANGLE PROJECTION	DRAWING NO.: /	SHEET	1/1
	MM (INCH)	DO NOT SCALE DRAWING	SCALE	1:1